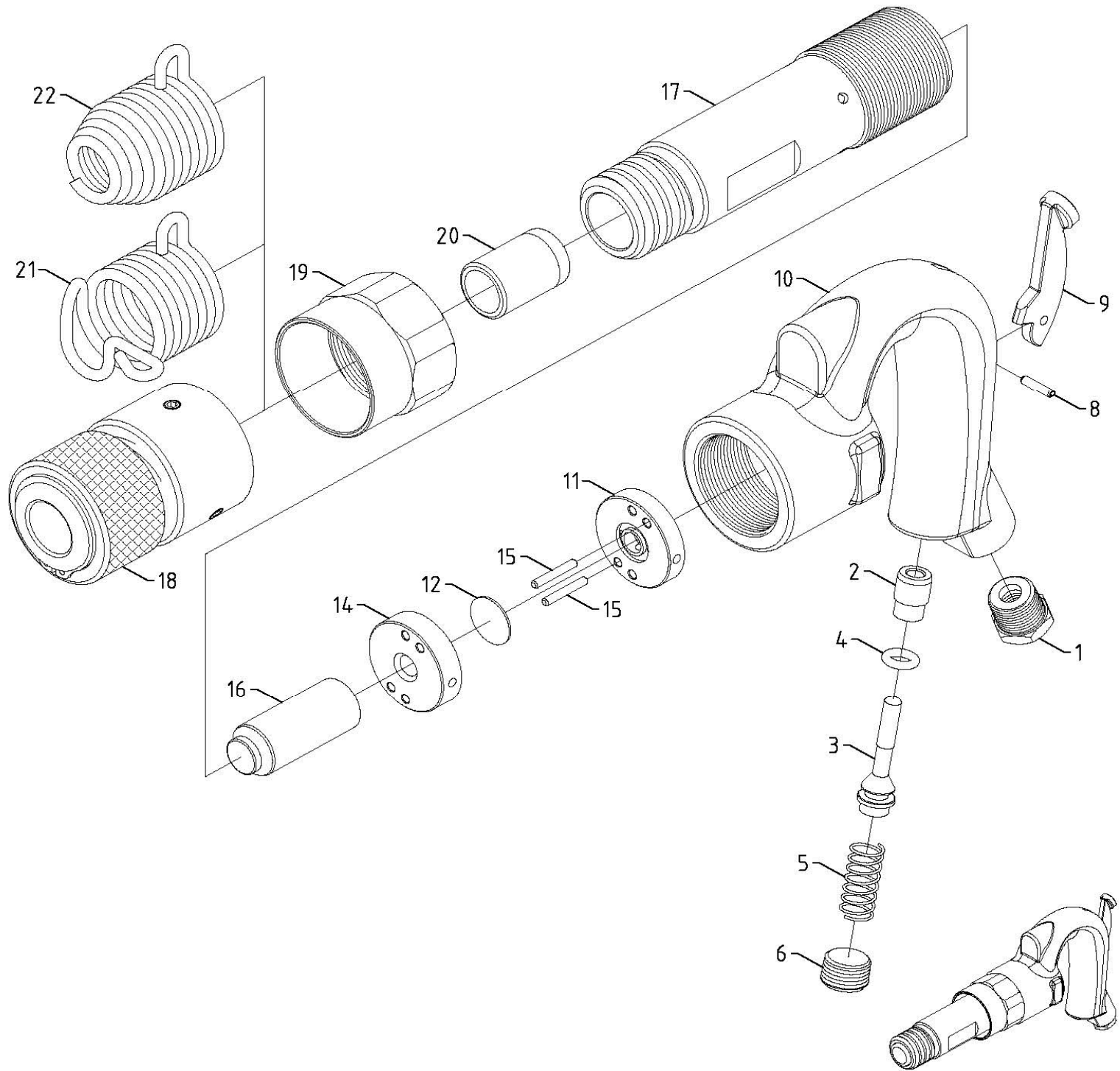


Model No.A16-R0430

MINI AIR CHIPPING HAMMER



Part No.	Description	Q'ty	Part No.	Description	Q'ty
1	INLET BUSHING(1/4")	1	12	VALVE DISC	1
2	VALVE BUSHING	1	14	LOWER VALVE CASE	1
3	VALVE STEM	1	15	DOWEL PIN(Ø3x20L)	2
4	O-RING(d7xW3)	1	16	PISTON	1
5	VALVE SPRING	1	17	CYLINDER(R)	1
6	SOCKET SET SCREW(3/8")	1	18	QUICK CHANGE RETAINER	1
8	SPRING PIN(3x14L)	1	19	LOCK NUT	1
9	TRIGGER	1	20	CYLINDER BUSHIN(R)	1
10	HANDLE	1	21	RETAINER SPRING QUICK CHANGE TYPE	1
11	UPPER VALVE CASE		22	RETAINER SPRING BEEHIVE TYPE	1