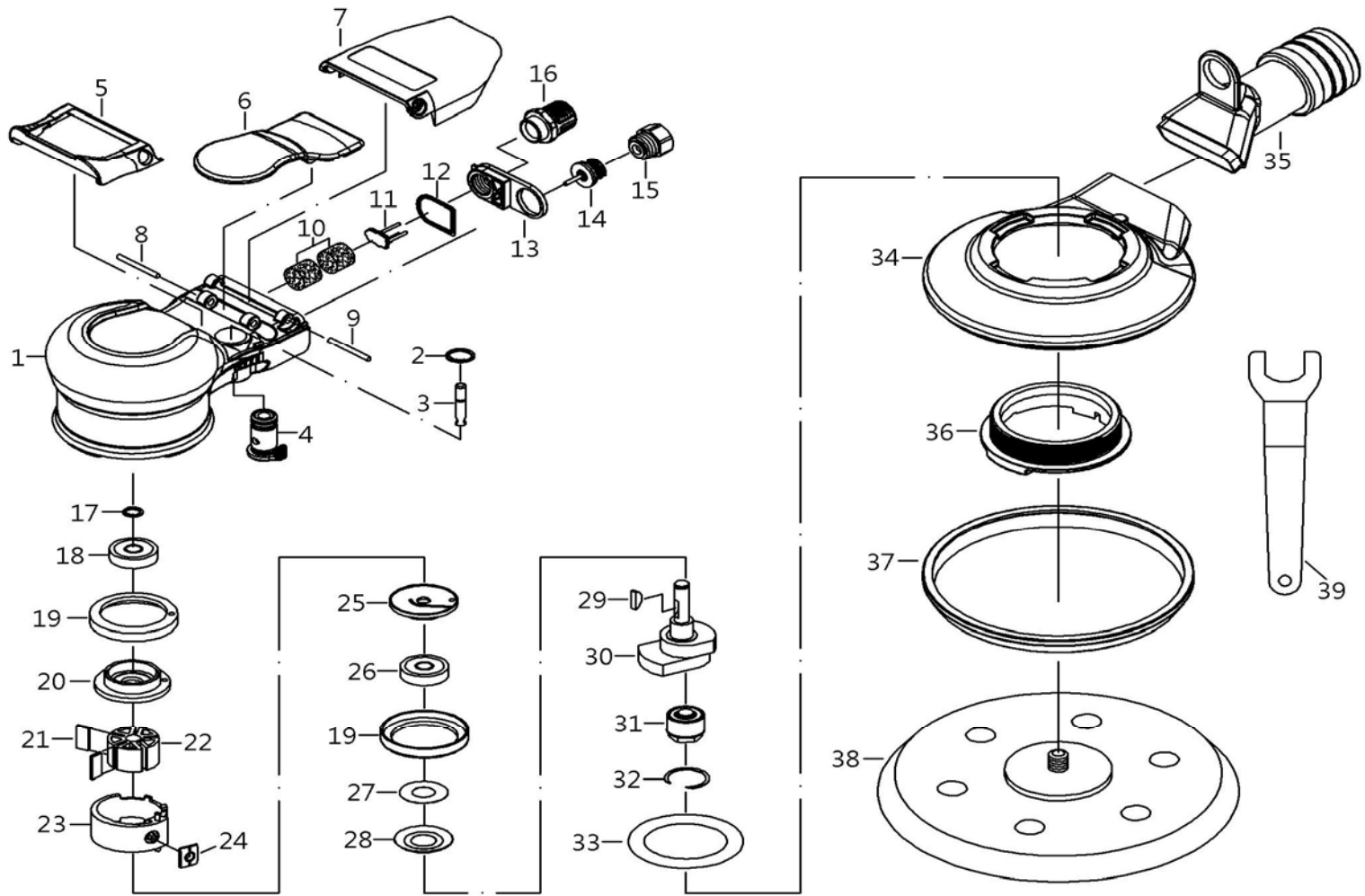


Model No. A12-E2971C

6" RANDOM ORBITAL SANDER (CENTRAL VACUUM)



Part No.	Description	Q'ty	Part No.	Description	Q'ty	Part No.	Description	Q'ty
1	HOUSING	1	15	AIR INLET	1	29	ROTOR KEY	1
2	SNAP RING (ISTW-13)	1	16	MUFFLER BODY SET	1	30	MOTOR SHAFT BALANCER (6",3/32")	1
3	VALVE STEM SET	1	17	SNAP RING	1	31	SHAFT SET	1
4	REGULATOR SET	1	18	BEARING (6000ZZ)	1	32	SNAP RING (25.2*29.6*0.5)	1
5	HOUSING FRONT COVER	1	19	RUBBER BUSHING	2	33	WASHER	1
6	LEVER	1	20	REAR PLATE	1	34	HOUSING COVER SET (3/32")	1
7	HOUSING REAR COVER	1	21	ROTOR BLADE	5	35	VACUUM ADAPTER SET (29mm)	1
8	PIN (3*32L)	1	22	ROTOR	1	35	VACUUM ADAPTER SET (33mm)	1
9	PIN (3*50L)	1	23	CYLINDER SET	1	36	LOCK NUT	1
10	SILENCER	2	24	BUSHING	1	37	SHROUD	1
11	MUFFLER	1	25	FRONT PLATE	1	38	PAD HOOK-UP	1
12	PACKING	1	26	BEARING (6002ZZ)	1	39	STOP SPANNER	1
13	EXHAUST SLEEVE	1	27	WASHER	1			
14	VALVE SET	1	28	WASHER	1			