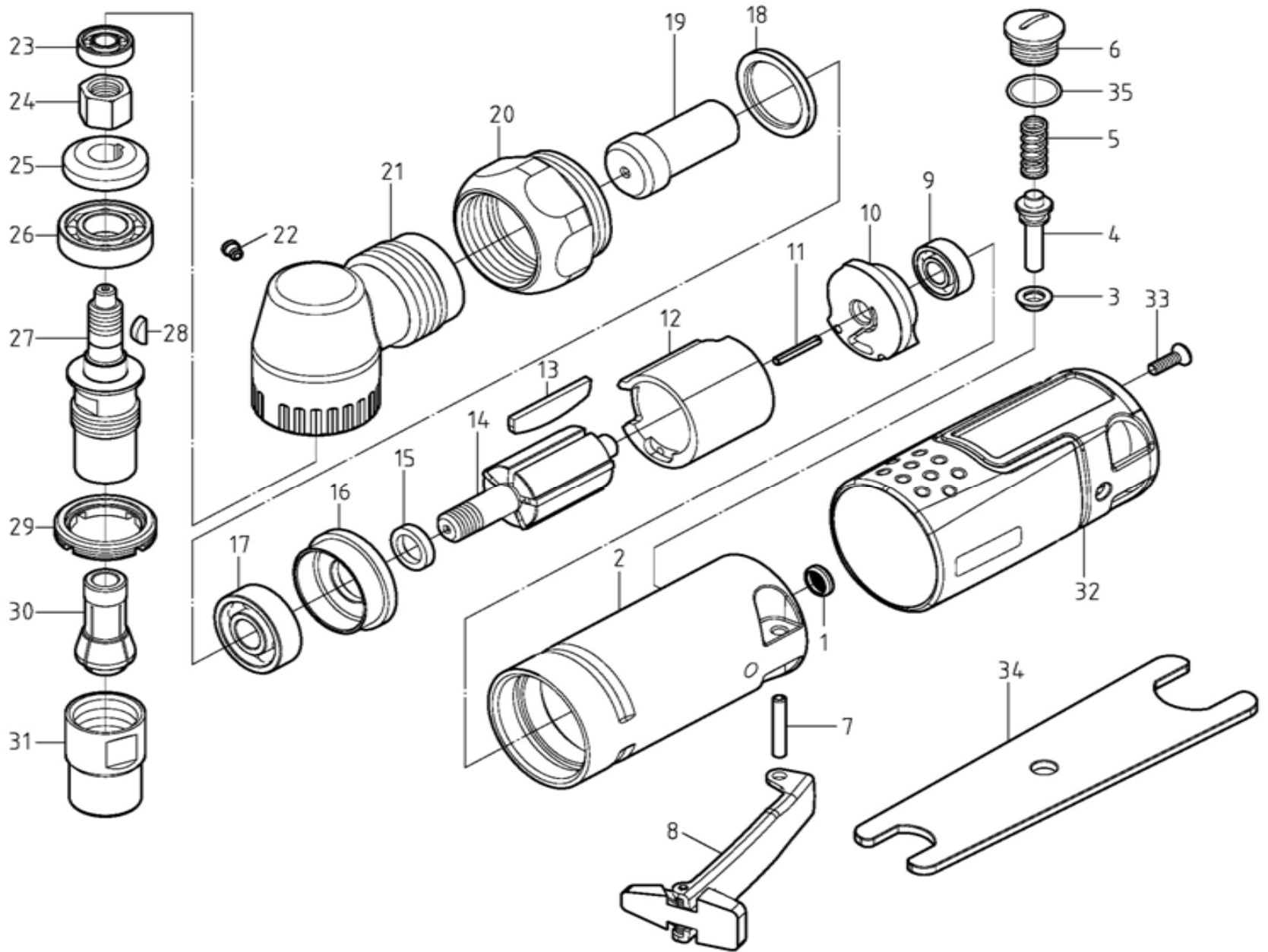


# Model No. A11-L8809

## MINI AIR ANGLE DIE GRINDER



Part No.	Description	Q'ty	Part No.	Description	Q'ty
1	Air Strainer	1	20	Lock Nut	1
2	Housing	1	21	Angle Housing	1
3	Anvil Collar	1	22	Oil Drop	1
4	Pin Valve Rod	1	23	Ball Bearing	1
5	Spring	1	24	Lock Nut	1
6	Screw	1	25	Bevel Gear	1
7	Spring Pin	1	26	Ball Bearing	1
8	Trigger	1	27	Anvil	1
9	Ball Bearing	1	28	Key	1
10	Rear Plate	1	29	Cylinder Set Screw	1
11	Spring Pin	1	30	Chuck	1
12	Cylinder	1	31	Lock Nut	1
13	Blade	5	32	Cover	1
14	Rotor	1	33	Screw	1
15	Washer	1	34	Wrench	2
16	Front Plate	1	35	O-Ring	1
17	Ball Bearing	1			
18	Washer	1			
19	Driving Gear Spindle	1			